

DESCRIPTION

AMC MODEL SW-2181-3AT-A3072 OPTION: TFT IS AN ABSORPTIVE/NON REFLECTIVE SINGLE POLE THREE THROW SWITCH MODULE WITH INTEGRAL TTL DRIVER, DESIGNED TO OPERATE WITH A SINGLE POSITIVE SUPPLY VOLTAGE.

SPECIFICATIONS

- FREQUENCY RANGE: 2.7 TO 2.9 GHz
- INSERTION LOSS: 2.0 dB MAXIMUM
- ISOLATION: 80 dB MINIMUM
- RETURN LOSS: -16 dB
- RISE TIME: 500 nSec MAXIMUM
- FALL TIME: 500 nSec MAXIMUM
- DELAY ON: 1 uSec MAXIMUM
- DELAY OFF: 1 uSec MAXIMUM
- RF POWER HANDLING: 1 WATT CW MAXIMUM
- CONTROL: TTL COMPATIBLE, UNIT LOAD
3 INDIVIDUAL CONTROLS
(SEE TRUTH TABLE)
- POWER SUPPLY: +5V ±5% @ 200 mA MAXIMUM
- CONNECTORS:
RF INPUT: SMA MALE
RF OUTPUT: SMA FEMALE
POWER/CONTROL: SOLDER PIN
- SIZE: 1.63" (L) x 1.50" (W) x 0.50" (H)

TRUTH TABLE		
B1	B0	RF PATH
0	1	J4-J1
1	0	J4-J2
1	1	J4-J3

OPTIONS:

- TFT: THREADED FEEDTHRU DESIGN

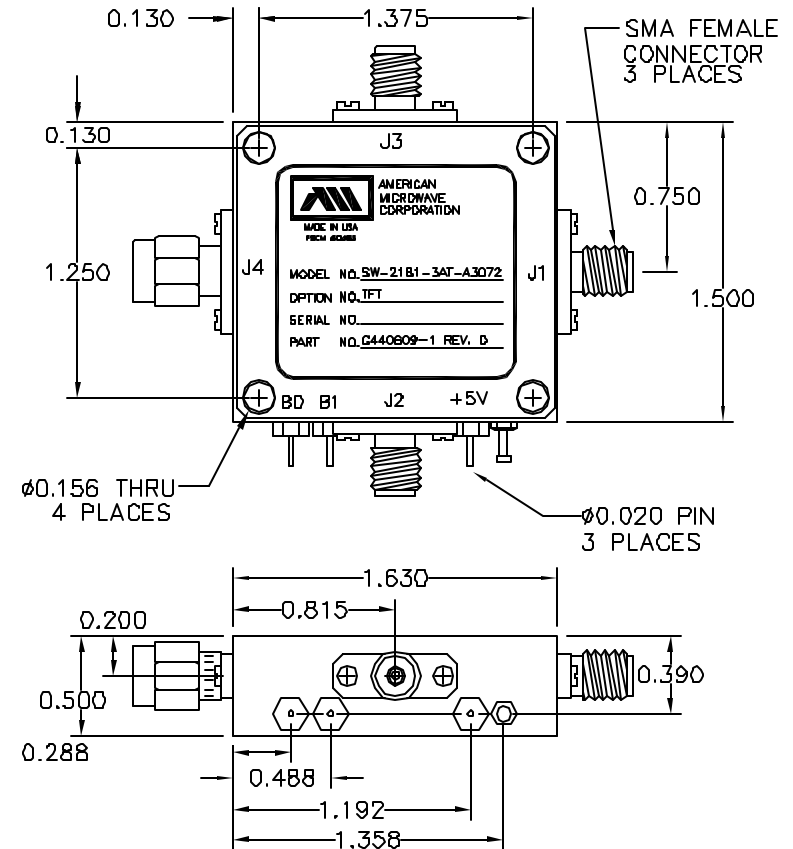
ENVIRONMENTAL RATINGS:

- TEMPERATURE: -55°C TO +85°C (OPERATING)
..... -65°C TO +125°C (STORAGE)
- HUMIDITY: MIL-STD-202F, METHOD 103B COND. B
- SHOCK: MIL-STD-202F, METHOD 213B COND. B
- VIBRATION: MIL-STD-202F, METHOD 204D COND. B
- ALTITUDE: MIL-STD-202F, METHOD 105C COND. B
- TEMPERATURE CYCLE: MIL-STD-202F, METHOD 107D COND. A

NOTE: SPECIFICATIONS WILL VARY OVER OPERATING TEMPERATURE.
NOTE: THE ABOVE SPECIFICATIONS ARE SUBJECT TO CHANGE OR REVISION

ALL DIMENSIONS ARE IN INCHES
TOLERANCES:
XXX ±0.020
X.XXX ±0.010

REVISIONS				
ZONE	REV.	DESCRIPTION	DATE	APPROVED
		- ORIGINAL RELEASE JOB# 509218X-1	9/22/05	



AMERICAN MICROWAVE CORPORATION

7311-G GROVE ROAD
FREDERICK, MARYLAND 21704 USA
TEL: 301-662-4700 FAX: 301-662-4938
WEBSITE: www.americanmicrowavecorp.com
E-MAIL: sales@americanmicrowavecorp.com
ISO 9001:2000 CERTIFIED

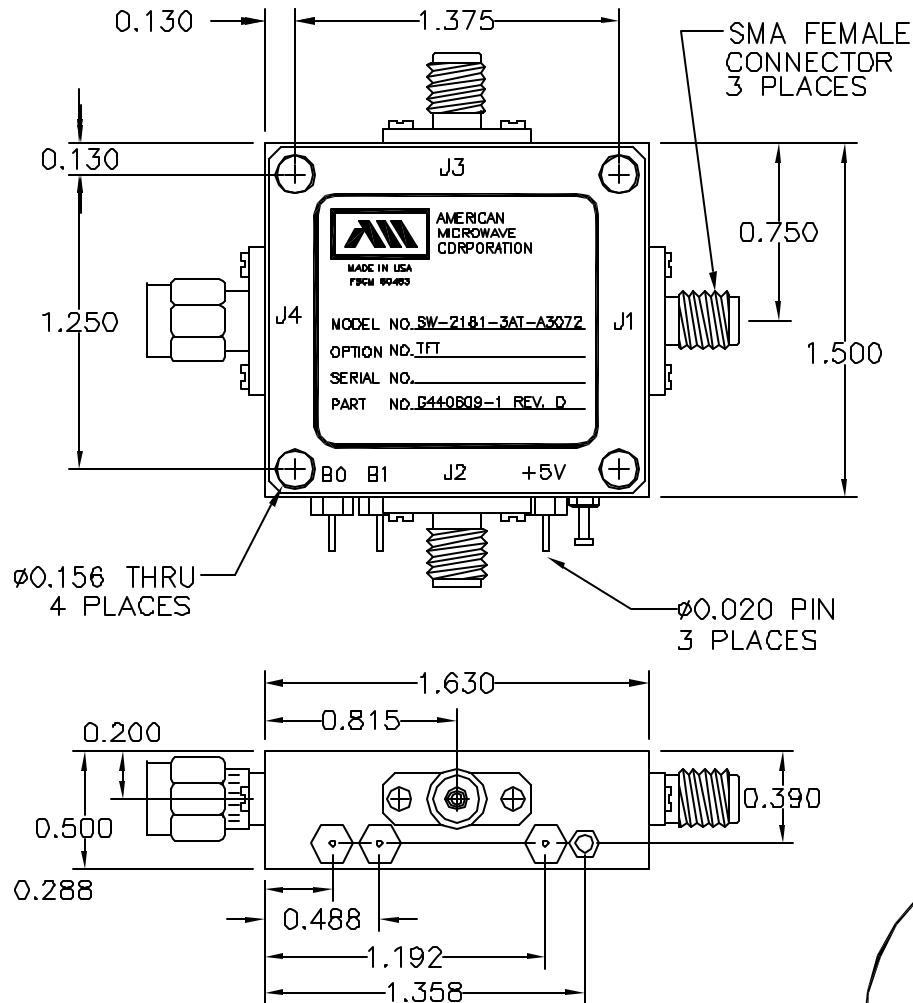


APPROVALS		DATE	TITLE		REV.
DRAWN	<i>FDS</i>	9/22/05	PRODUCT FEATURE SW-2181-3AT-A3072 OPTION: TFT		-
CHECKED			SIZE	PSCH NO.	DWG NO.
ISSUED			A	60483	100-7497
			SCALE	N:S	SHEET 1 OF 4

DESCRIPTION

AMC MODEL SW-2181-3AT-A3072 OPTION: TFT IS AN ABSORPTIVE/NON REFLECTIVE SINGLE POLE THREE THROW SWITCH MODULE WITH INTEGRAL TTL DRIVER, DESIGNED TO OPERATE WITH A SINGLE POSITIVE SUPPLY VOLTAGE.

REVISIONS				
ZONE	REV.	DESCRIPTION	DATE	APPROVED
		- ORIGINAL RELEASE JOB# 509218X-1	9/22/05	



MECHANICAL OUTLINE

TRUTH TABLE		
B1	B0	RF PATH
0	1	J4-J1
1	0	J4-J2
1	1	J4-J3

AMERICAN MICROWAVE CORPORATION

7311-G GROVE ROAD
FREDERICK, MARYLAND 21704 USA
TEL: 301-662-4700 FAX: 301-662-4938
WEBSITE: www.americanmicrowavecorp.com
E-MAIL: sales@americanmicrowavecorp.com
ISO 9001:2000 CERTIFIED



ALL DIMENSIONS ARE IN INCHES
TOLERANCES:
X.XX ±0.020
X.XXX ±0.010

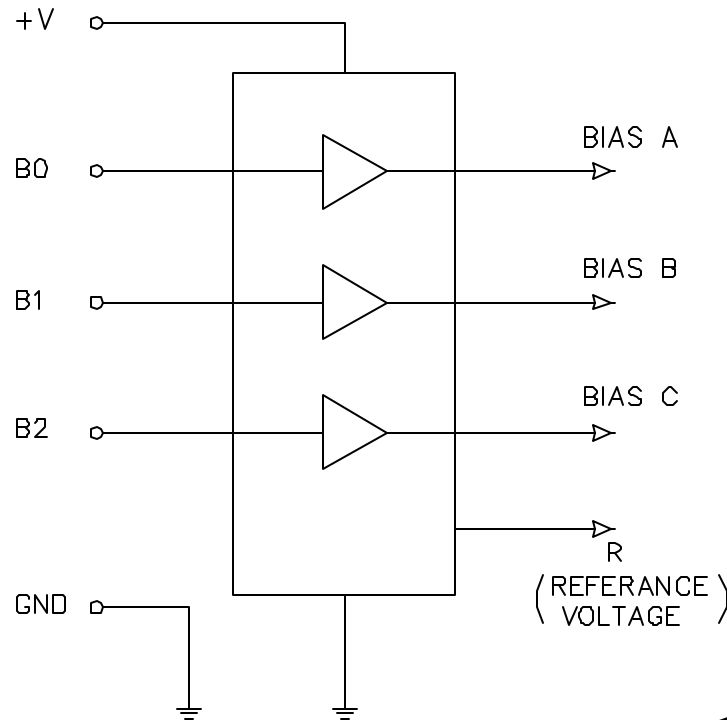
APPROVALS		DATE	TITLE		
DRAWN	<i>FDS</i>	9/22/05	MECHANICAL OUTLINE SW-2181-3AT-A3072 OPTION: TFT		
CHECKED			SIZE	FSCH NO.	DWG NO.
ISSUED			A	60483	100-7497
			SCALE	N:S	SHEET 2 OF 4

DESCRIPTION

AMC MODEL SW-2181-3AT-A3072 OPTION: TFT IS AN ABSORPTIVE/NON REFLECTIVE SINGLE POLE THREE THROW SWITCH MODULE WITH INTEGRAL TTL DRIVER, DESIGNED TO OPERATE WITH A SINGLE POSITIVE SUPPLY VOLTAGE.

REVISIONS				
ZONE	REV.	DESCRIPTION	DATE	APPROVED
	-	ORIGINAL RELEASE JOB# 509218X-1	9/22/05	

FUNCTIONAL BLOCK DIAGRAM



AMERICAN MICROWAVE CORPORATION

7311-G GROVE ROAD
 FREDERICK, MARYLAND 21704 USA
 TEL: 301-662-4700 FAX: 301-662-4938
 WEBSITE: www.americanmicrowavecorp.com
 E-MAIL: sales@americanmicrowavecorp.com
 ISO 9001:2000 CERTIFIED



APPROVALS		DATE		TITLE	
DRAWN <i>FDF</i>		9/22/05		FUNCTIONAL BLOCK DIAGRAM SW-2181-3AT-A3072 OPTION: TFT	
CHECKED		SIZE		2.7-2.9 GHz, SINGLE POLE THREE THROW SWITCH	
ISSUED		A		60483	
		SCALE N:S		DWG NO. 100-7497	
				REV. -	
				SHEET 3 OF 4	